

# AF100 – Analog Input/Output Module Datasheet

## Overview

The AF100 module is designed to be used with our AQ500 OEM platform as an expandable module for interfacing with industrial sensors and control equipment. It is designed to be immune to noise and input/output 4-20mA output signals. The device communicates using I2C with the AQ500 board and requires 24VDC to operate.

## Dimensions

Size	4" x 2.25" x 1"
Mounting Holes	M6 Screw Holes, .2" from edges
Terminal Strip	5mm Spacing Terminal Block

## Electrical Characteristics

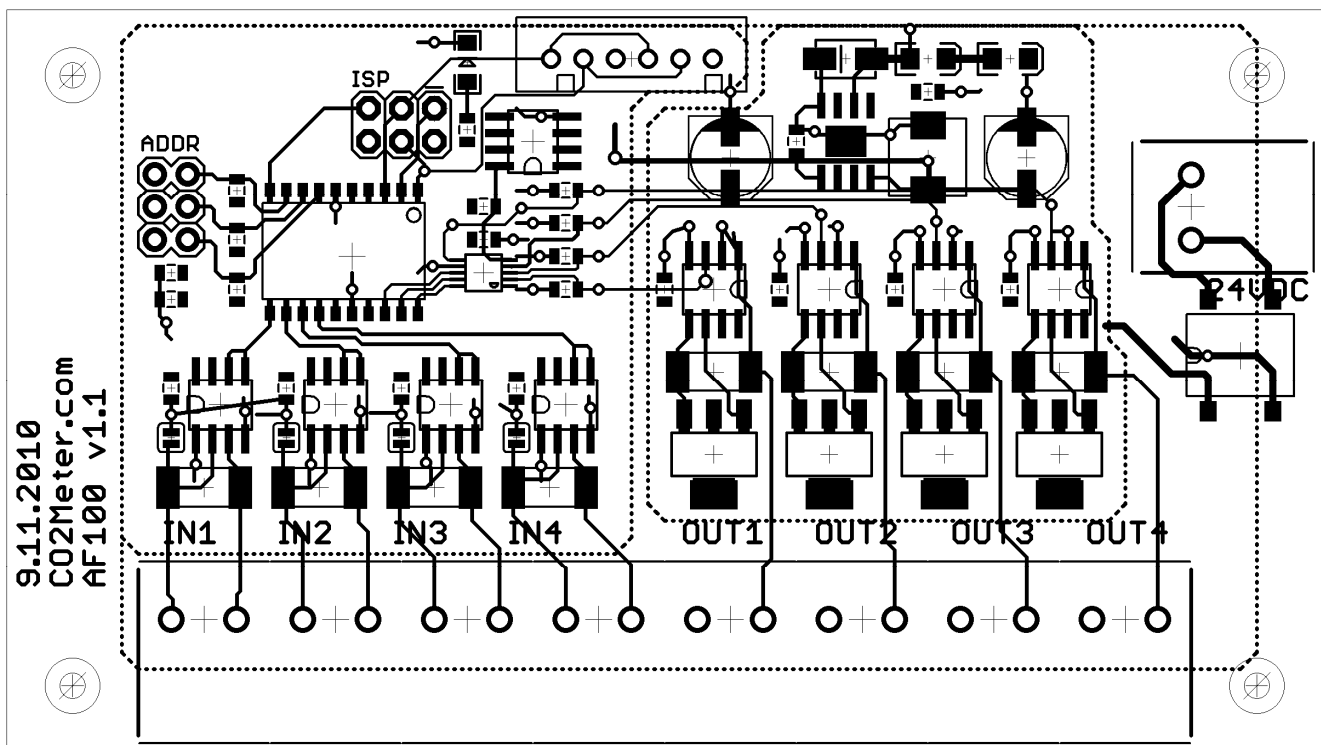
<b>Input Voltage</b>	12V-40VAC/DC
<b>Current Consumption (max)</b>	.20A @ 24VDC

### Input

<b>Input Resistance</b>	120Ohms
<b>Input Type</b>	Current loop reading, non-powered
<b>Input Range</b>	0-22mA

### Output

<b>Maximum Loop Resistance</b>	$(V_{IN} - 2.4) / .022$
<b>Output Range</b>	0-22mA, limited by sense resistor and VIN.



9.11.2010  
CO2Meter.com  
AF100 v1.1