

Datasheet: CO2 + VOC + RHT Monitor with Alarm



The Tongdy CO2, VOC, temperature and humidity monitor with Alarm lets you quickly and easily check indoor air quality in any room. Use it in stand-alone mode to monitor air quality with its easy-to-read backlit LCD display that quickly changes from green to yellow to red as air quality declines. Above 1,800 ppm, a built-in buzzer warns you that CO2 levels have become too high for indoor comfort. You can also read the individual air quality readings directly from the display.

Need more control? Use the monitor's built-in on/off relay to automatically turn on a fresh-air fan or ventilation system.

With its single-button ease of use and simple 110VAC power requirements, the Tongdy CO2, Temperature and Humidity monitor with Alarm is perfect for homes, offices, meeting rooms, classrooms, or anywhere monitoring indoor air quality is important for occupant's comfort.

- **Real-time Carbon Dioxide Monitor with Alarm**
- **VOC Sensor Monitors Volatile Organic Compounds**
- **Temperature and % Relative Humidity**
- **Buzzer & Visual Alarm Display**

CO2 Sensor

Measurement Range	0 – 5,000 ppm
Sensing Method	non-dispersive infrared (NDIR) with automatic background calibration
Sampling Method	diffusion
Response Time (T _{1/e})	< 2 minutes for 90% step change
Signal update	Every 2 seconds
Warm up time	2 hours after initial power up for ABC calibration, 2 minutes on subsequent use

Total Volatile Organic Compound Sensor

Measurement Range	0 – 30ppm
Display Resolution	5ppm

Temperature and Humidity Sensors

Relative Humidity Range	0 – 100% RH (non condensing)
Temperature Range	-20 – 144°F (0 - 60°C)

General Performance

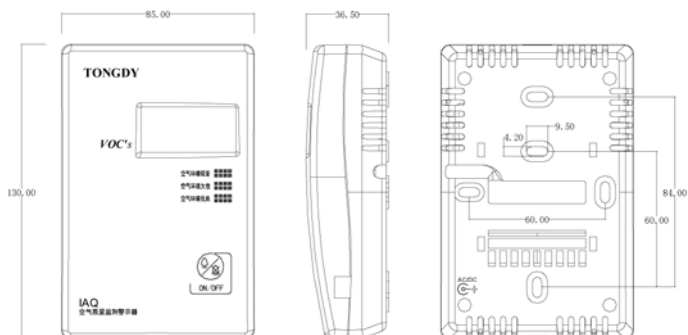
Maintenance Interval	no maintenance required
Self-Diagnostics	complete function check of the sensor module
Warm-up Time	≤ 1 min
Conformance with the standards.....	CE-Approval
Operating Environment	Residential & business indoor spaces

Electrical/Mechanical

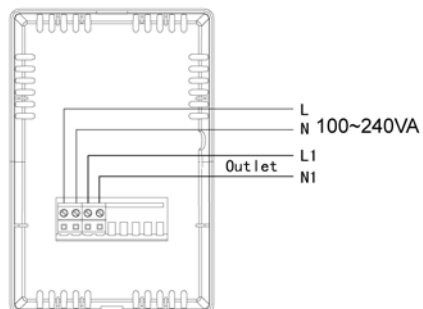
Power Input.....	100-240VAC
Current Consumption	2.5 W average, 3.5 W Max.
Relay	One NO relay, 3A max, resistance load
Housing	PC/ABS fireproof plastic material; protection class IP30
Dimensions	130mm (H) × 85mm (W) × 36.5mm (D), 200g

Warranty

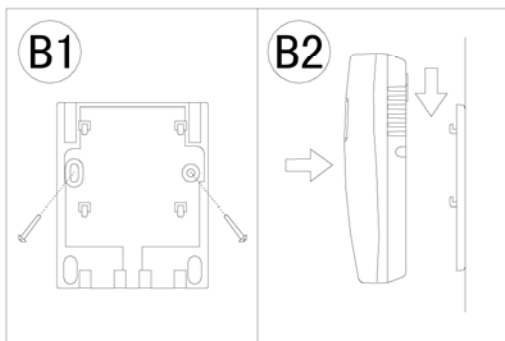
Model TON-0003	1 Year
----------------	--------



Wall mount wiring



Wall mounting-base bracket



Desktop- bracket

